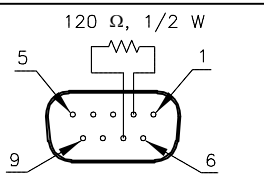
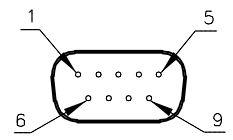


FEMALE END VIEW (J1)

MALE END VIEW (P1)

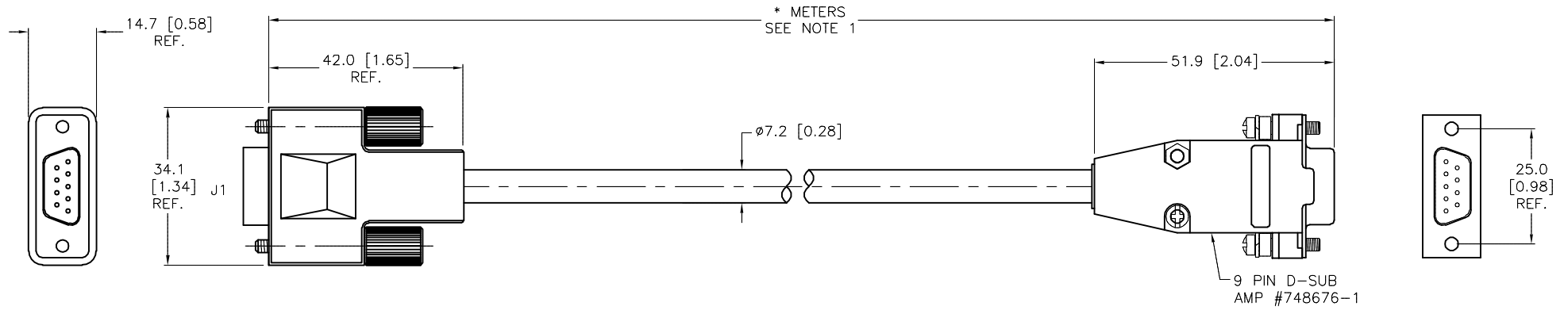


- 1 = N/C
- 2 = BLUE (CAN_L)
- 3 = BLACK (- VOLTAGE)
- 4 = N/C
- 5 = BARE (SHIELD)
- 6 = N/C
- 7 = WHITE (CAN_H)
- 8 = N/C
- 9 = RED (+ VOLTAGE)



- 1 = N/C
- 2 = BLUE (CAN_L)
- 3 = BLACK (- VOLTAGE)
- 4 = N/C
- 5 = BARE (SHIELD)
- 6 = N/C
- 7 = WHITE (CAN_H)
- 8 = N/C
- 9 = RED (+ VOLTAGE)

SPECIFICATIONS	
CONTACT CARRIER MATERIAL/COLOR	NYLON/BLACK (J1)
MOLDED HEAD MATERIAL/COLOR	POLYOLEFIN or PVC/BLACK (J1)
CONTACT MATERIAL/PLATING	BRASS/GOLD
RATED CURRENT [A]	4.0 A
RATED VOLTAGE [V]	250 V (7.6 VDC MAX. ON PINS WITH RESISTOR)
OUTER JACKET MATERIAL/COLOR	PVC/GREY
CONDUCTOR INSULATION MATERIAL	FOAMED HDPE (DATA), PVC (POWER)
NUMBER OF CONDUCTORS [AWG]	4x22 AWG, 22 AWG DRAIN
SHIELD	FOIL (PAIRS), FOIL (OVERALL)
TEMPERATURE RATING	-40°C TO +80°C (-40°F TO +176°F)
PROTECTION CLASS	IP20
INCLUDES TERMINATING RESISTOR	YES



CABLE LENGTH	TOLERANCE*
ALL LENGTHS	+ 4% (OR 50mm) OF LENGTH - 0% (OR 0mm) OF LENGTH WHICHEVER IS GREATER
STRIP LENGTH	TOLERANCE*
0-7mm	±0.5mm
8-29mm	±1.0mm
30-49mm	±2.0mm
50-69mm	±3.0mm
70-100mm	±4.0mm
OVER 100mm	±5.0mm

* UNLESS OTHERWISE SPECIFIED

SOURCE DRAWING - FOR REFERENCE ONLY

NOTES:
1. "*" INDICATES CABLE LENGTH IN METERS. CONTACT TURCK TO ORDER SPECIFIC LENGTHS.

RELATED DOCUMENTS		3RD ANGLE PROJECTION		THIS DRAWING IS CONFIDENTIAL AND THE PROPERTY OF TURCK INC. USE OF THIS DOCUMENT WITHOUT WRITTEN PERMISSION IS PROHIBITED.		3000 CAMPUS DRIVE MINNEAPOLIS, MN 55441 1-800-544-7769 (763) 553-7300 (763) 553-0708 fax www.turck.us	
1.			DRFT	RDS	DATE	02/09/07	DESCRIPTION DB9F/TR DB9M 572-*M
2.			APVD		SCALE	1=1.3	
3.		ALL DIMENSIONS DISPLAYED ON THIS DRAWING ARE FOR REFERENCE ONLY	UNIT OF MEASUREMENT		IDENTIFICATION NO.		REV
4.			MILLIMETER [INCH]				F
MATERIAL		CONTACT TURCK FOR MORE INFORMATION		DO NOT SCALE THIS DRAWING		FILE: 777016123	SHEET 1 OF 1
FINISH							

F	UPDATE HOLE SPACING ON DB8F CONNECTOR	ER	11/19/18	67698
REV	DESCRIPTION	BY	DATE	ECO NO.